

Interface PCB

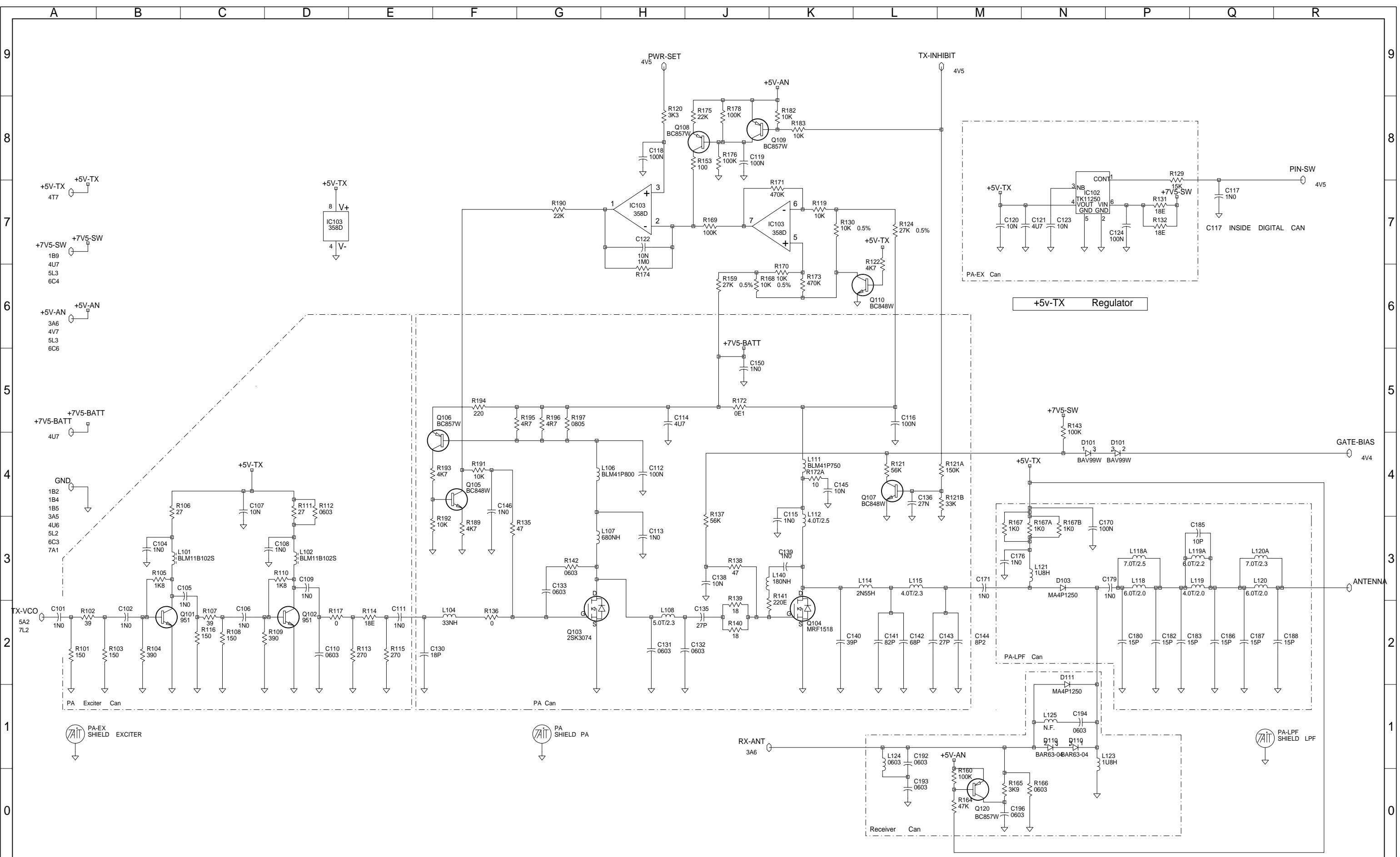
Connector Accessory



BAND III
Tait Orca Slim

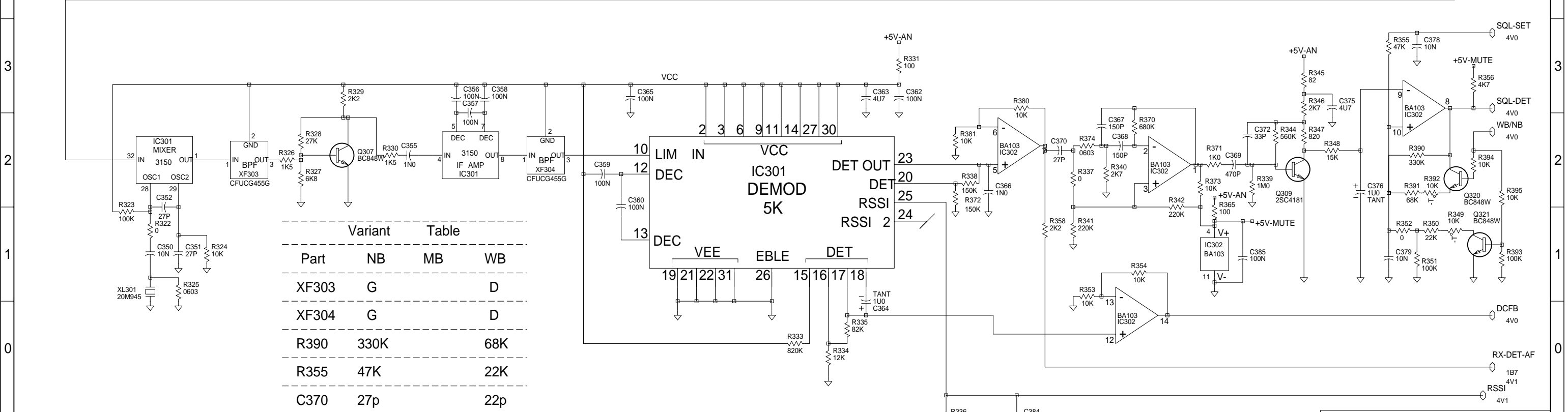
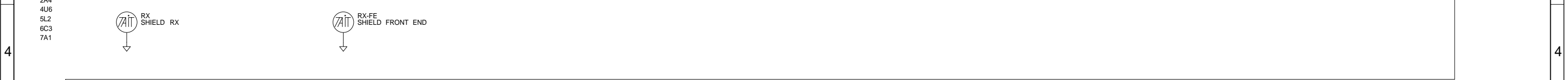
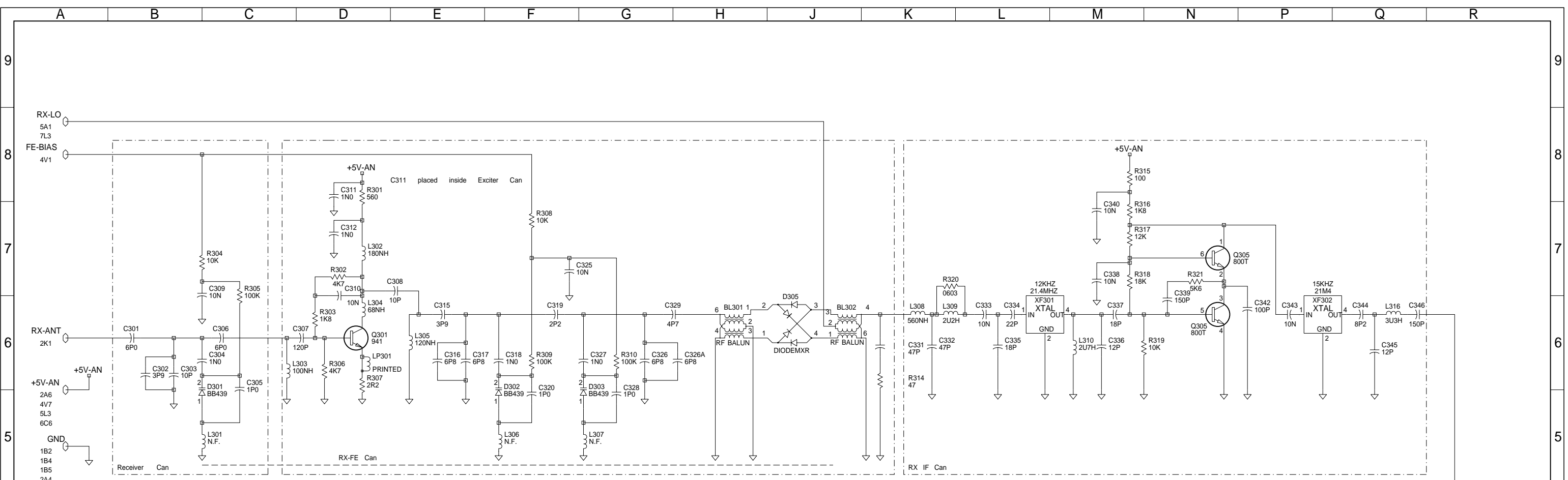
© TAIT ELECTRONICS	
SLIM TOP BAND III 175-225MHZ SYSTEM DIAGRAM	
IPN: 220-01654-01	ISSUE: A
DESIGNER: TAIT ORCA	FILE DATE: 11-Jul-00
BRD: 165401a	NO. SHEETS: 7

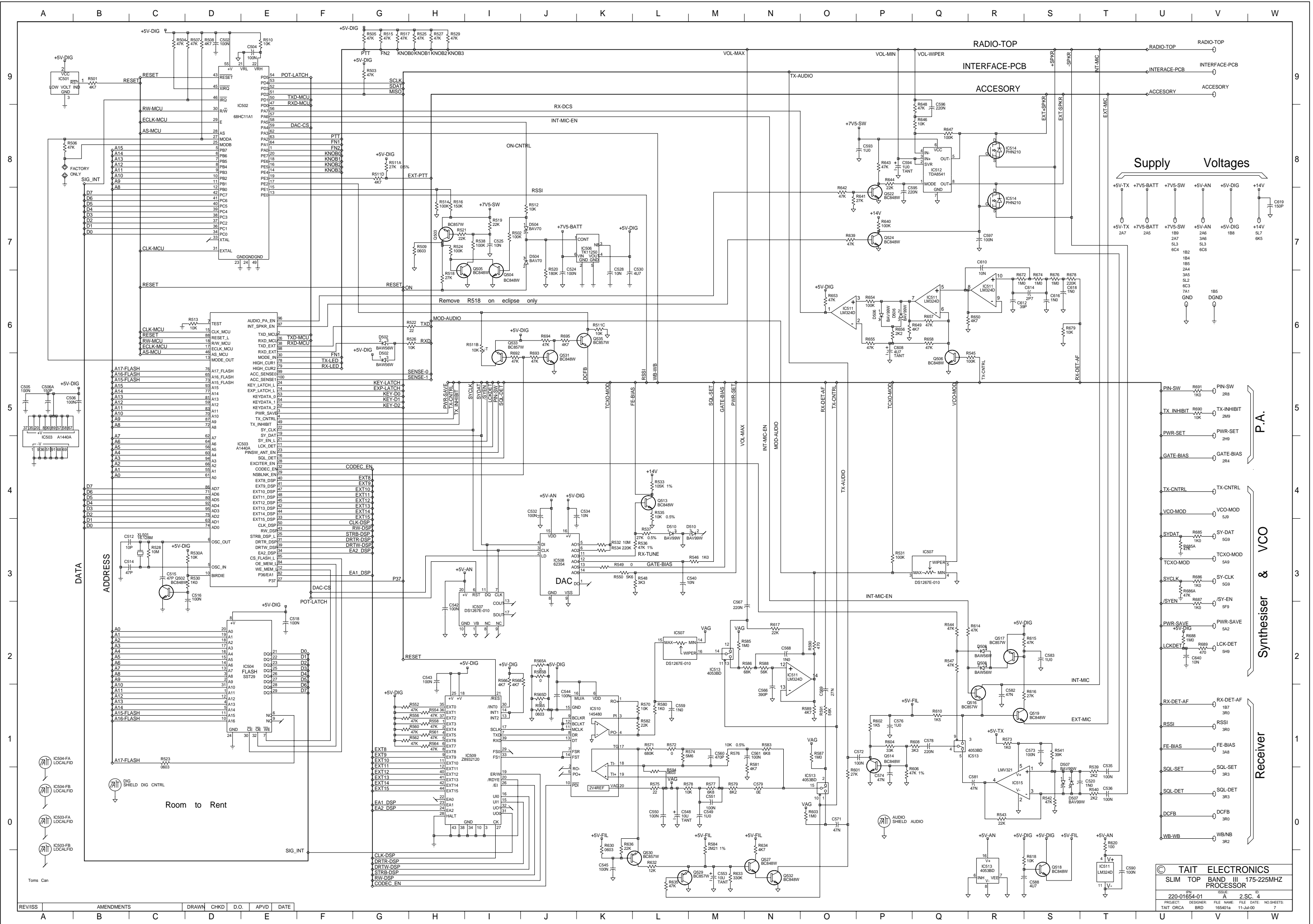
01A	NEW PA LINEUP SYNTH RX	BRD		10/07/00
REV/ISS	AMENDMENTS	DRAWN	CHKD	APVD



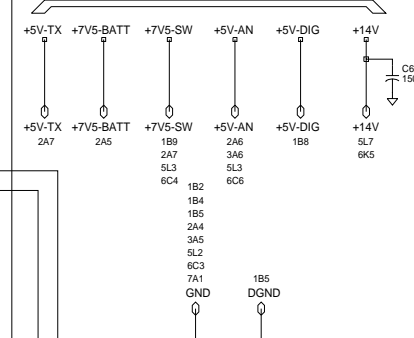
© TAIT ELECTRONICS
 SLIM TOP BAND III 175-225MHZ
 POWER AMPLIFIER
 IPN: 220-01654-01 ISSUE: A ID: 2.S.C. 2
 PROJECT: TAIT ORCA DESIGNER: BRD FILE NAME: 165401a FILE DATE: 11-Jul-00 NO.SHEETS: 7

REV/ISS	AMENDMENTS	DRAWN	CHKD	D.O.	APVD	DATE
A						

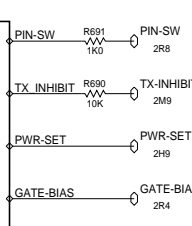




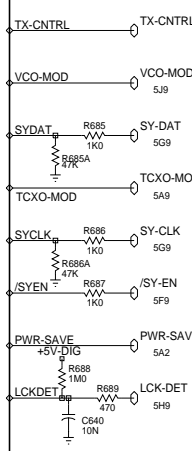
Supply Voltages



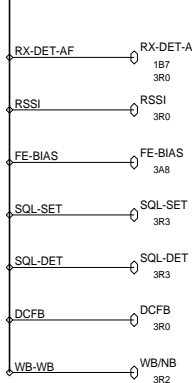
P.A.



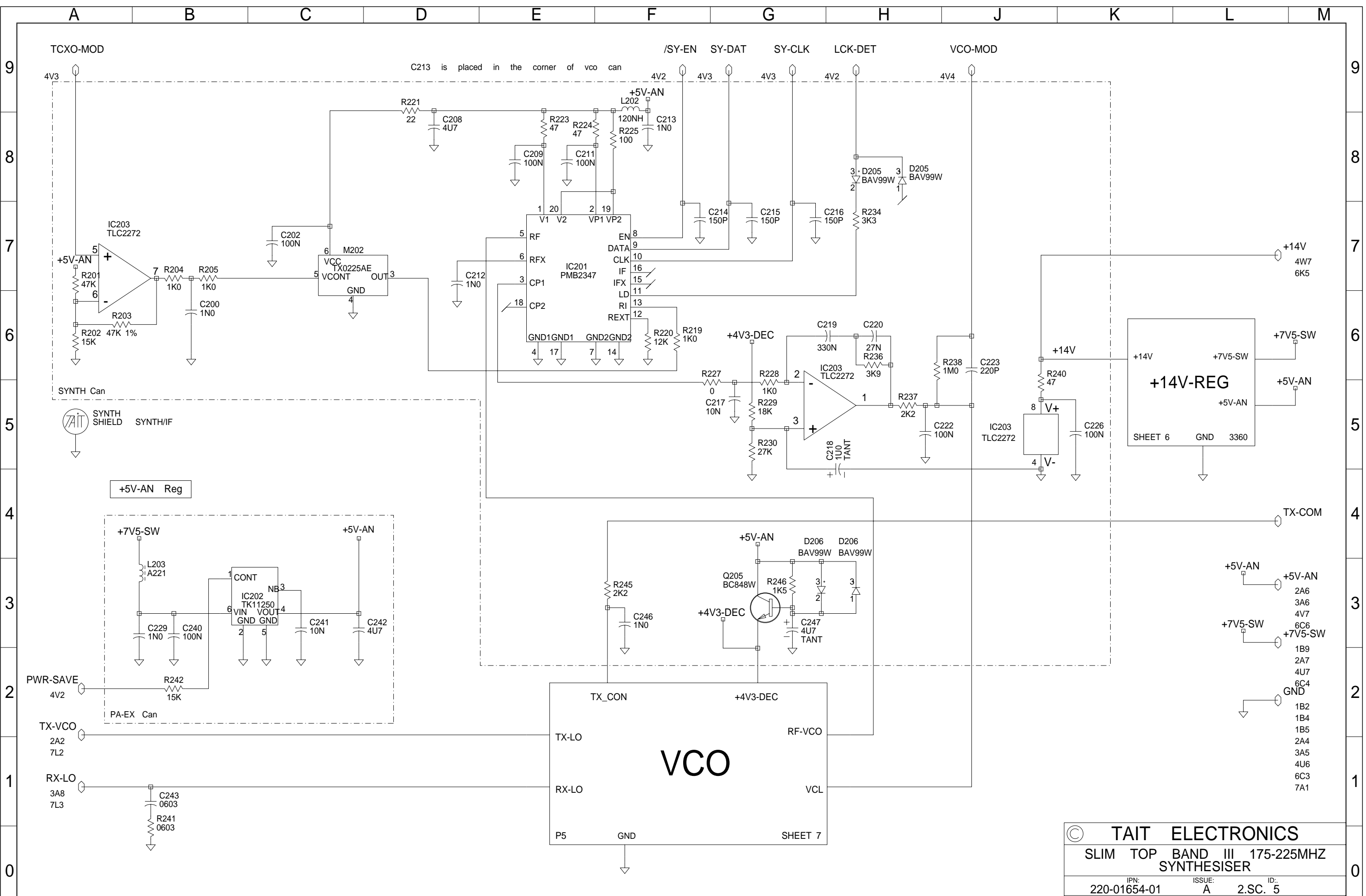
Synthesiser & VCO



Receiver



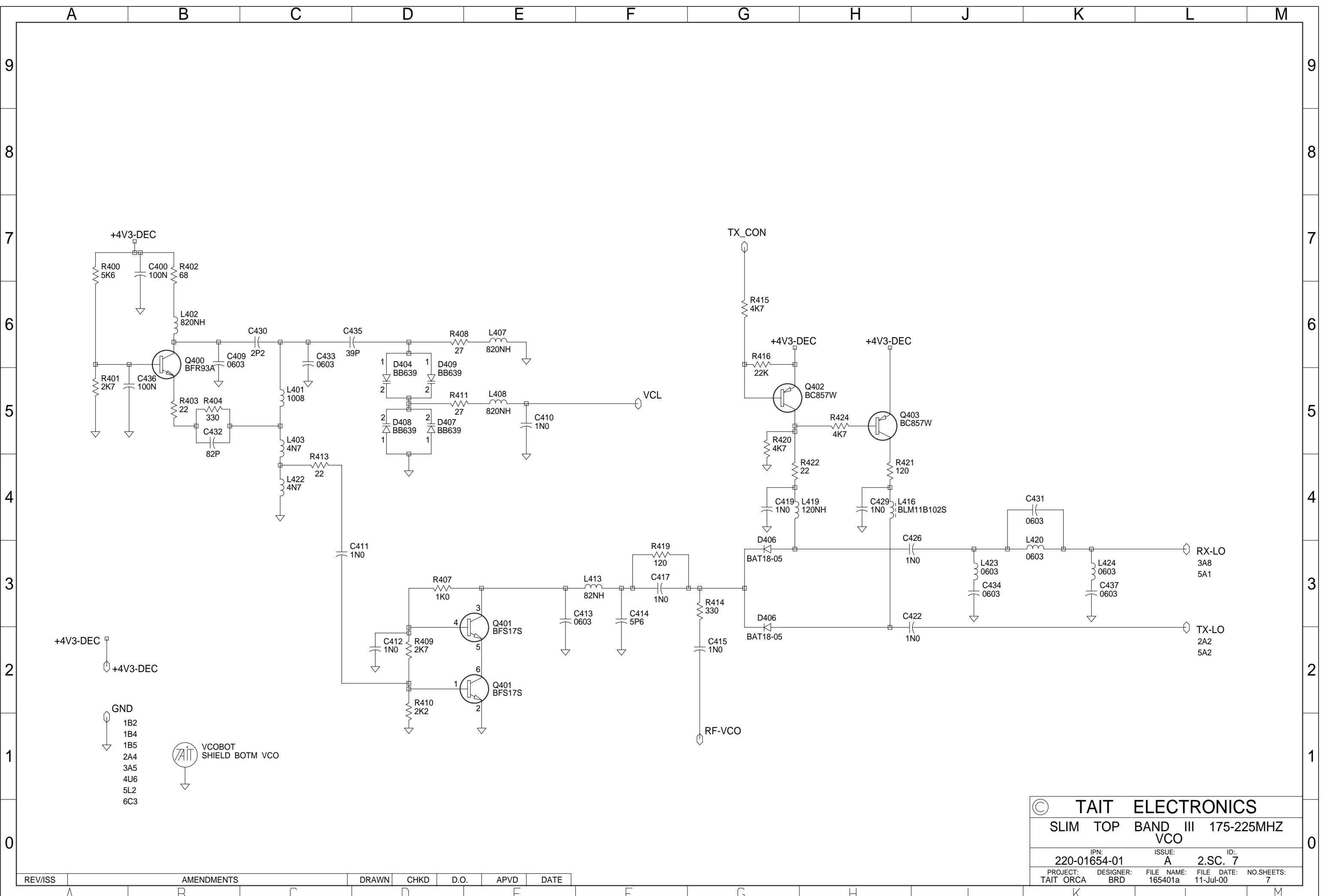
Room to Rent



© TAIT ELECTRONICS
 SLIM TOP BAND III 175-225MHZ SYNTHESISER
 IPN: 220-01654-01 ISSUE: A ID: 2.SC. 5
 PROJECT: TAIT ORCA DESIGNER: BRD FILE NAME: 165401a FILE DATE: 11-Jul-00 NO.SHEETS: 7

REV/ISS	AMENDMENTS	DRAWN	CHKD	D.O.	APVD	DATE

- +5V-AN 2A6
- +5V-AN 3A6
- 4V7
- +7V5-SW 6C6
- +7V5-SW 7A1
- 1B9
- 2A7
- 4U7
- 6C4
- GND
- 1B2
- 1B4
- 1B5
- 2A4
- 3A5
- 4U6
- 6C3
- 7A1



© TAIT ELECTRONICS
 SLIM TOP BAND III 175-225MHZ VCO
 IPN: 220-01654-01 ISSUE: A ID: 2.SC. 7
 PROJECT: TAIT ORCA DESIGNER: BRD FILE NAME: 165401a FILE DATE: 11-Jul-00 NO.SHEETS: 7

REV/ISS	AMENDMENTS	DRAWN	CHKD	D.O.	APVD	DATE

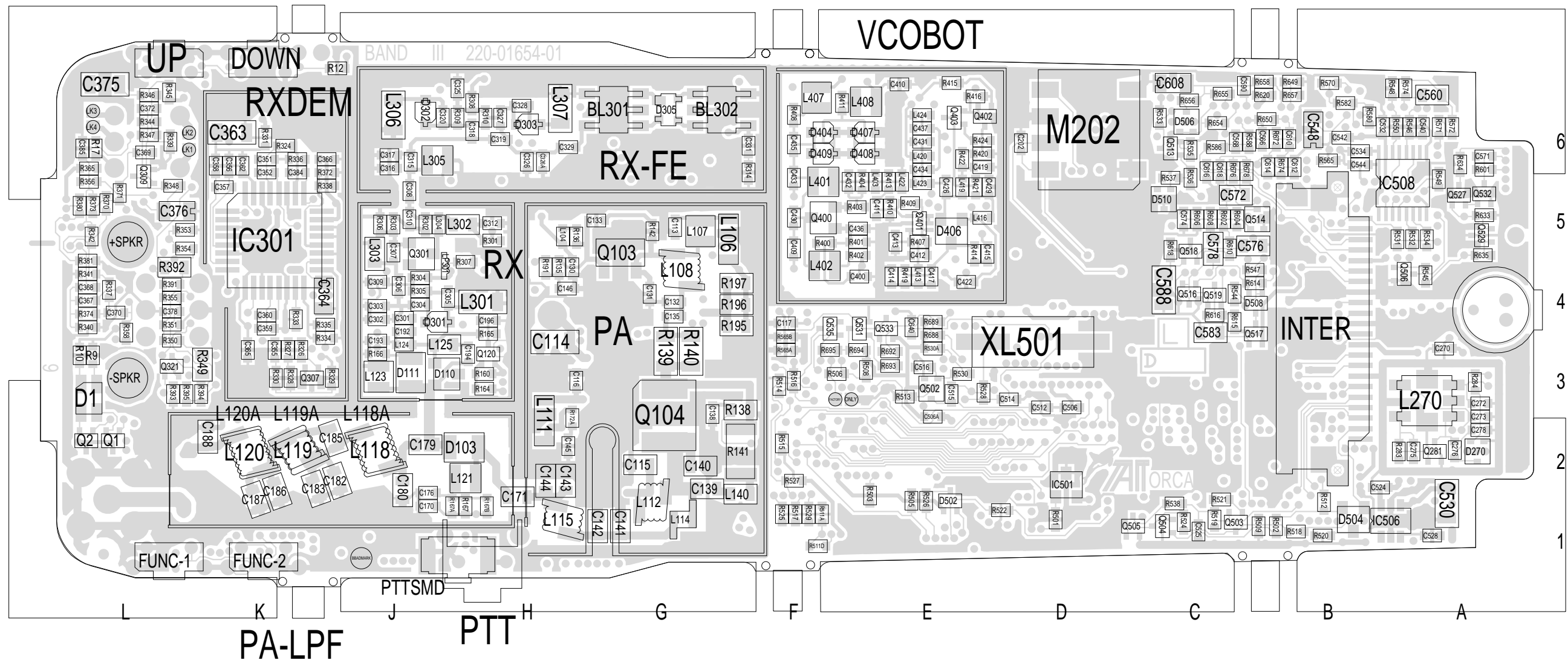
A B C D E F G H J K L M

9
8
7
6
5
4
3
2
1
0

9
8
7
6
5
4
3
2
1
0

- +4V3-DEC
- +4V3-DEC
- GND
- 1B2
- 1B4
- 1B5
- 2A4
- 3A5
- 4U6
- 5L2
- 6C3

VCOBOT SHIELD BOTM VCO



TAIT ELECTRONICS IPN: 220-01654-01 ISS: A ID: 6.BA DATE: 11 Jul 2000
 BAND III PCB LAYOUT - BOTTOM SIDE

Scale: 2.3:1 ; Rotation: 0 degrees